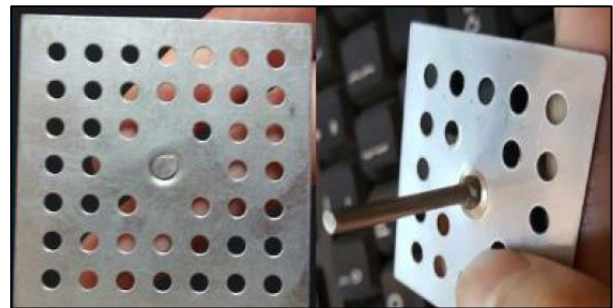
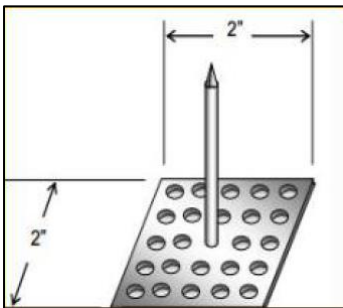
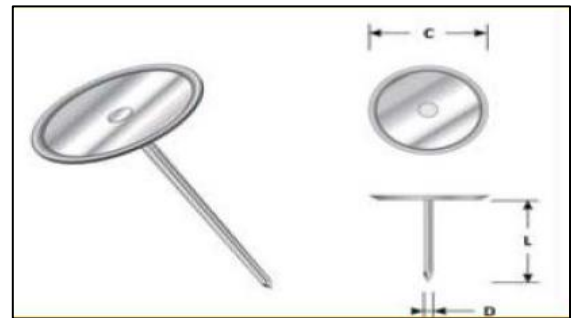


**Insulation hanger with perforated metal base**
**Product Description**

Base Size:	25 x 25, 35x 35, 40 x 40, 45 x 45, 50 x 50mm (all are standard)
Pin Diameter:	1.70mm for 25 x 25mm base; 2.67mm & 3.00mm for both 35mm and 50mm base are standard. Other sizes available by special order only
Pin Length:	20 to 150mm are standard. Other lengths available by special order
Pin Material:	Mild steel (copped), Stainless steel 304, 316
Base Material:	Mild steel (galvanized), stainless steel 304, 316
Pin Plating:	Galvanized costing is standard. Yellow white and blue gal are available


**Cupped Head and Mini-Cup Weld Pins**

C	D	LENGTH-L
0.106"	1-1/2"	Stand up to 6"
0.135"	1-1/2"	TO BE ORDER
0.080"	1-3/16"	Up to 2-1/2"
0.106"	1-3/16"	Stand up to 6"



This type of Capacitor Discharge (CD) pin is welded through the insulation, allowing the fabrication to be done in one easy step. The head of the pin is attached to the nail, so there is no need to add a washer.

Reduced labour time – Neat finished appearance.

Available as Mini-Cup (MC) or Full-Size Cupped Head (CH) Style, with bevelled head.

Flat head available as a special order.

Pins are also available "insulated" for welding through foil-faced materials to prevent arcing on the foil facia.

Longer lengths are available as special order

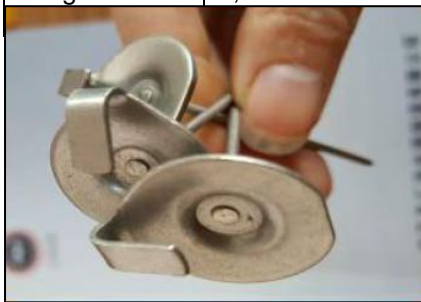
Length of pin to be used is determined by the thickness, density & Composition of the insulation being installed.

Material: Galvanized steel. Stainless steel available on special order

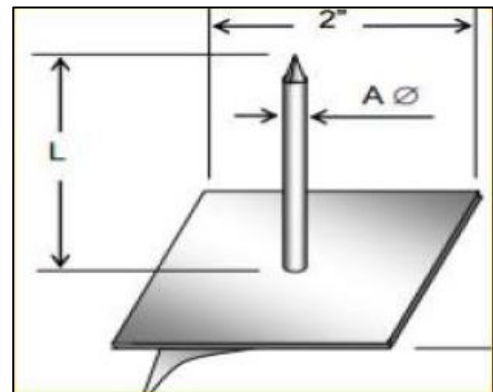


**Slim Lacing Anchor**

Materials:	Low carbon steel, Stainless steel 304, 316, 3161, 309, 309s
Plating:	Zinc plating is standard, Low carbon steel (Does not apply to stainless), Stainless steel
Size:	D, 12 GA & 14 GA are standard. Other sizes are available by special order.
Length:	L, 2-1/2" & 4-1/2" are standard. Other


**Self-adhesive fastener for insulation**

Pin diameter:	2.5mm – 4mm
Material:	Mild steel (copper coated), Stainless steel 304, 316, 309
Basis:	2" x 2"
Thickness:	0.3mm – 0.8mm
Basis material:	Mild steel (galvanized), stainless steel 304, 316, 309


**Usage:**

Exclusively used for fixing adiabatic materials in ducts of air-conditioner, for glass-wool and rock-wool in soundproofing works and for the duct-lining in all positions.  
 Recommendation for 1m2 insulation: Walls = 6pins, ceiling = 8pins length from 25mm – 250mm



**Galvanized steel rock wool pin**

The metal insulation fixing for fastening rigid insulation to masonry. It is as simple as drilling straight through the insulation into the masonry and hammer the insulation fixing home. The specification as follows:

A+-0.10	C+-0.30	D+-0.30	F+-0.50	G+-0.3	H+-0.2	I+-0.5	J+-0.2	K+-0.1	M+-0.5
0.70	9.10	8.80	7.50	1.90	35.00	3.00	4.80	5.20	17.00



O=-0.2	P+-0.2								
10.00	7.40								

SIZE	B+-1.00	E+-1.00	SIZE	B+-1.00	E+-1.00	SIZE	B+-1.00	E+-1.00
8 x 50	50	40	8 x 140	140	110	8 x 220	220	125
8 x 60	60	47	8 x 150	150	110	8 x 240	240	125
8 x 80	80	68	8 x 170	170	120	8 x 300	300	125
8 x 90	90	70	8 x 185	185	120			
8 x 110	110	80	8 x 200	200	120			

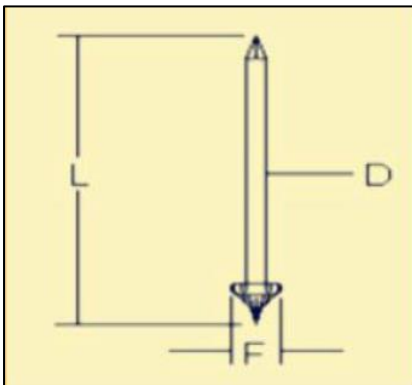
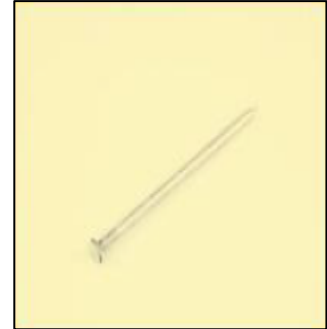
Power  
Weld



base  
Pins

**Industrial Insulation & Safety Materials**

D:	12ga(0.106), 10ga(0.135)
F:	0.165, 0.188
Length:	As required
Material:	Mild Steel and type 302HQ Stainless Steel
Nail length (mm):	45, 50, 63.5, 70, 75, 100, 120, 250
Surface Treatment:	Copped, galvanized, polish



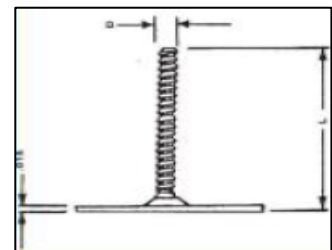
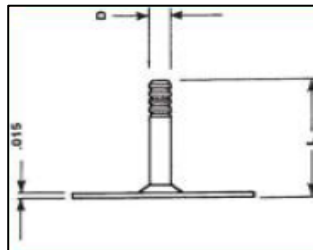
**Quilting pins with round basis**

Pin Diameter:	14ga, 12ga
Material:	Stainless Steel 304, 316
Round Basis:	1-3/16"
Thickness:	0.4mm – 0.7mm
Length:	1" to 4-1/2"



**Threaded Anchor Bolt**

Size:	D – 3/16nominal. Actual ring diameter is 0.175"
Length:	L – 7/8, 1-7/8, 2-7/8 and 3-7/8 are standard. Other lengths available by special order
Materials:	Low carbon steel – Plate/Bolt
Mechanical Properties:	Galvanized plating is standard. Low carbon



### Industrial Insulation & Safety Materials

	steel available by special order
--	----------------------------------

#### Square Washers for Insulation Pin

Self-locking washers are designed to be used with weld pins, insulation-hangers, lacing anchors, etc. Specify diameter of pin where washer will be installed when ordering. Special holes sizes are available upon request.



Dimensions	2-1/2" Square	1-1/2" Square	1-1/8" x 1-1/4"
Nominal Thickness	0.15"	0.15"	0.15"
Standard Material	Galvanized Steel	Galvanized Steel	Galvanized Steel
Standard Package	1000	1000	1000
Approx. Weight/1000	30	10	6.5
Other Materials	S/S, Aluminium	S/S, Aluminium	S/S, Aluminium



#### Insulation Clips without Plastic Coating

STYLE	RC 100	RC 118	RC 150	RC 150 PIH	RC 200	OC 125	SC 150	SC 250
SIZE/DIAM.	1"	1 3/16"	1 1/2"	1 1/2"	2"	1 1/8" X 1 1/4"	1 1/2" X 1 1/2"	2 1/2" X 2 1/2"
THICKNESS	.015	.015	.015	.015	.015	.015	.015	.015
FINISH	GALV.	GALV.	GALV.	GALV.	GALV.	GALV.	GALV.	GALV.
PACK	1,000	1,000	1,000	1,000	2,000	3,000	1,000	1,000
APPROX WGT/1000	4.2	4.8	8.0	8.0	14.0	6.3	10.0	30.0
OTHER MATERIALS	S.S	S.S	S.S ALUM	S.S	S.S ALUM	S.S ALUM	S.S ALUM	S.S ALUM



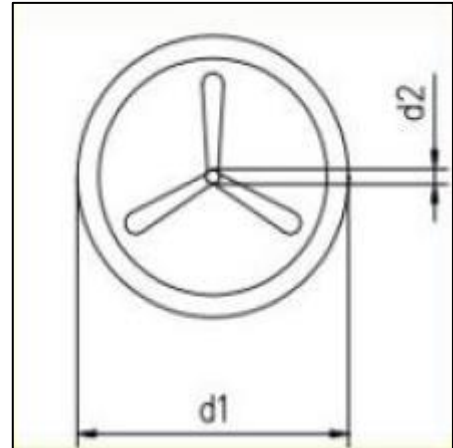
304, 316, 309, 309s



### Industrial Insulation & Safety Materials

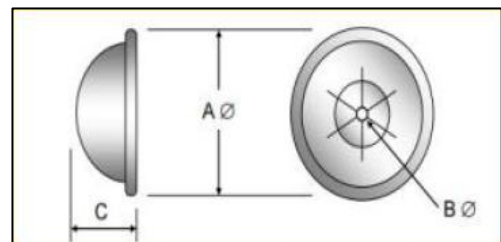
#### Insulation Clips with Plastic Coating

D1:	40mm
D2:	2mm, 2.7mm, 3mm, 4mm, 5mm, 6mm
Colours:	White or Black
Material:	S/S 304, 304L, 316, 316L, Galvanized Steel, Aluminium
Washer Diameter	35mm
Washer Thickness:	0.3mm – 0.50mm
Application:	It is fixed on the position where there is significant wind-suction force, if the height is more than 20m or if the finishing coat is tile, etc.



#### Dome Capped Washers

Material:	Aluminium, Galvanized Steel, S/S 304, 316
Cap Diameter:	20mm – 40mm
Thickness:	0.1mm – 0.5mm
Cap Height:	10mm – 20mm
Application	Self-adhesive insulation pin is exclusively used for fixing adiabatic materials in ducts of air-conditioner, for glass-wool and rock-wool in soundproofing works and for the duct-lining in all positions



Revised

25/07/2018





20 Dobra Road,  
Yangebup 6164  
Ph: +61 8 9418 8826  
Mobile: +61 402 002 359  
Email: [sales@darco.com.au](mailto:sales@darco.com.au)