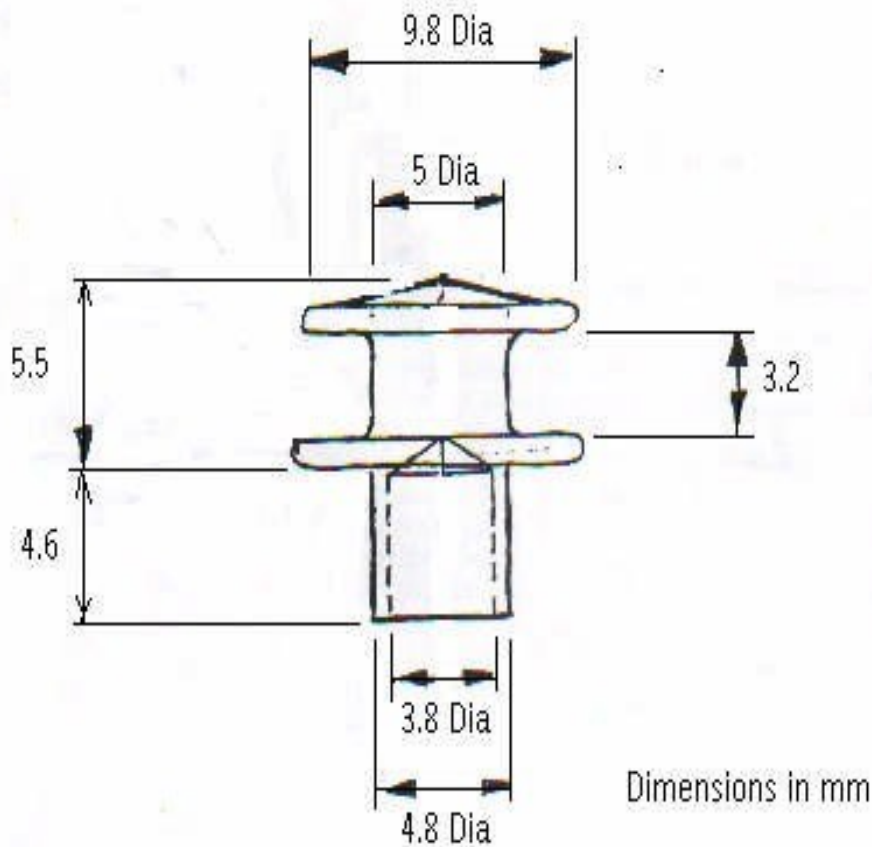


## Stainless Steel Capstan 9mm Description and Advantages

Darco style **CAPSTAN9** is manufactured from 303 stainless steel. The capstan provides a robust, corrosion resistant, lacing hook for manufactured insulation blankets and heat shields.

When used with stainless steel washers, as a means of fixing, the capstan proves to withstand more abuse than standard hooks which are conventionally sewn on. The capstan helps to prevent weak points in insulation blankets that can cause tearing of insulation and costly repairs.



Service Temperature	850°C
Material	303 stainless steel